

**6x4 & 4x4
Channel Sizes**

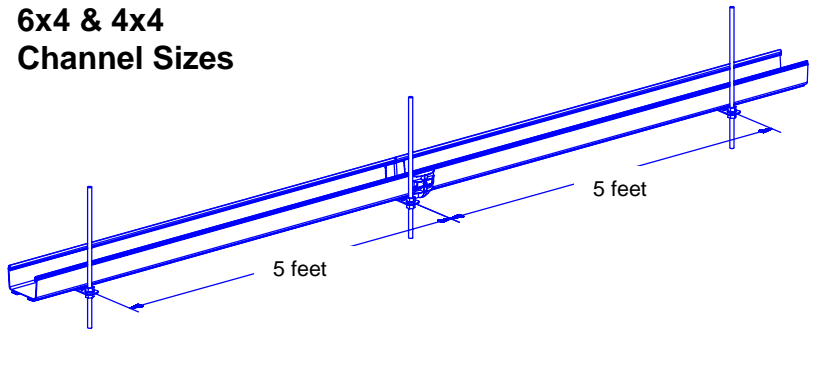


Figure 1.1 - 4x4 and 6x4 Recommended Support Spacing

The Panduit 12x4, 6x4 and 4x4 **FIBERRUNNER** channels are self supporting to a span of 5 feet (1,524mm). The illustrations depict the recommended mounting bracket spacing for straight channels runs.

Introduction of fittings into the channel run will require use of additional supports at intervals deemed necessary to adequately support system.

**12x4
Channel Size**

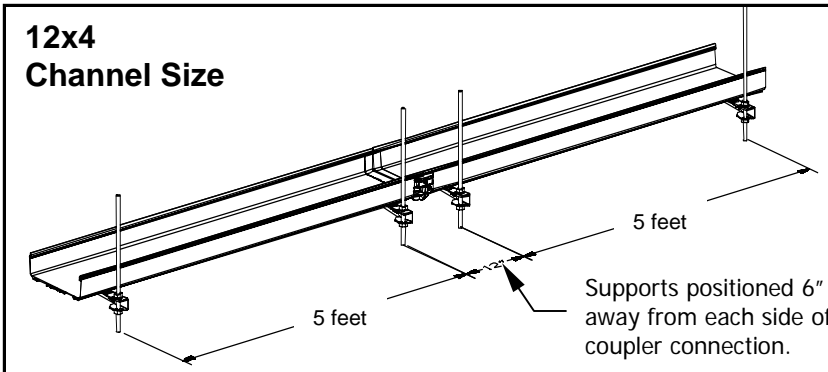


Figure 1.2 - 12x4 Recommended Support Spacing

12x4 channel should be supported as shown whenever possible to ensure best possible support of fully loaded trough.

**Multiple Fittings
Support Spacing**

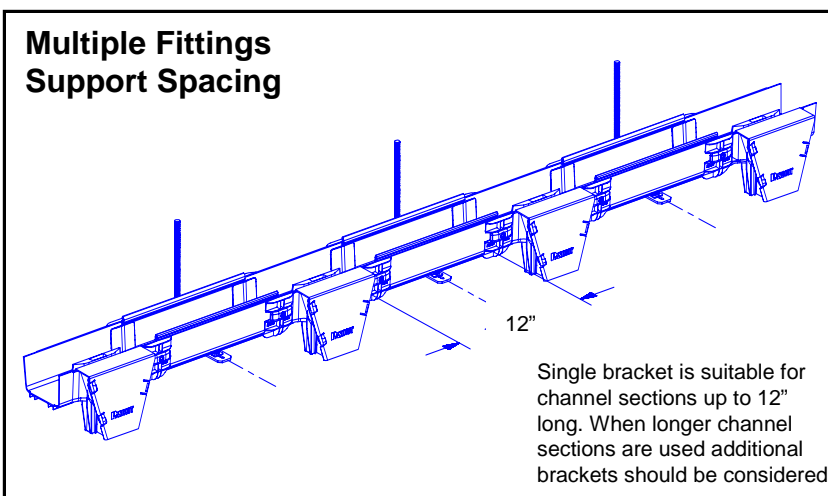


Figure 1.3 - Recommended Support Spacing for Multiple Fittings

To ensure proper support, multiple fittings should be supported more frequently than solid channel sections. It is recommended that support brackets be positioned near every fitting.