



FOR USE WITH PANDUIT *FIBER*RUNNER ROUTING SYSTEMS

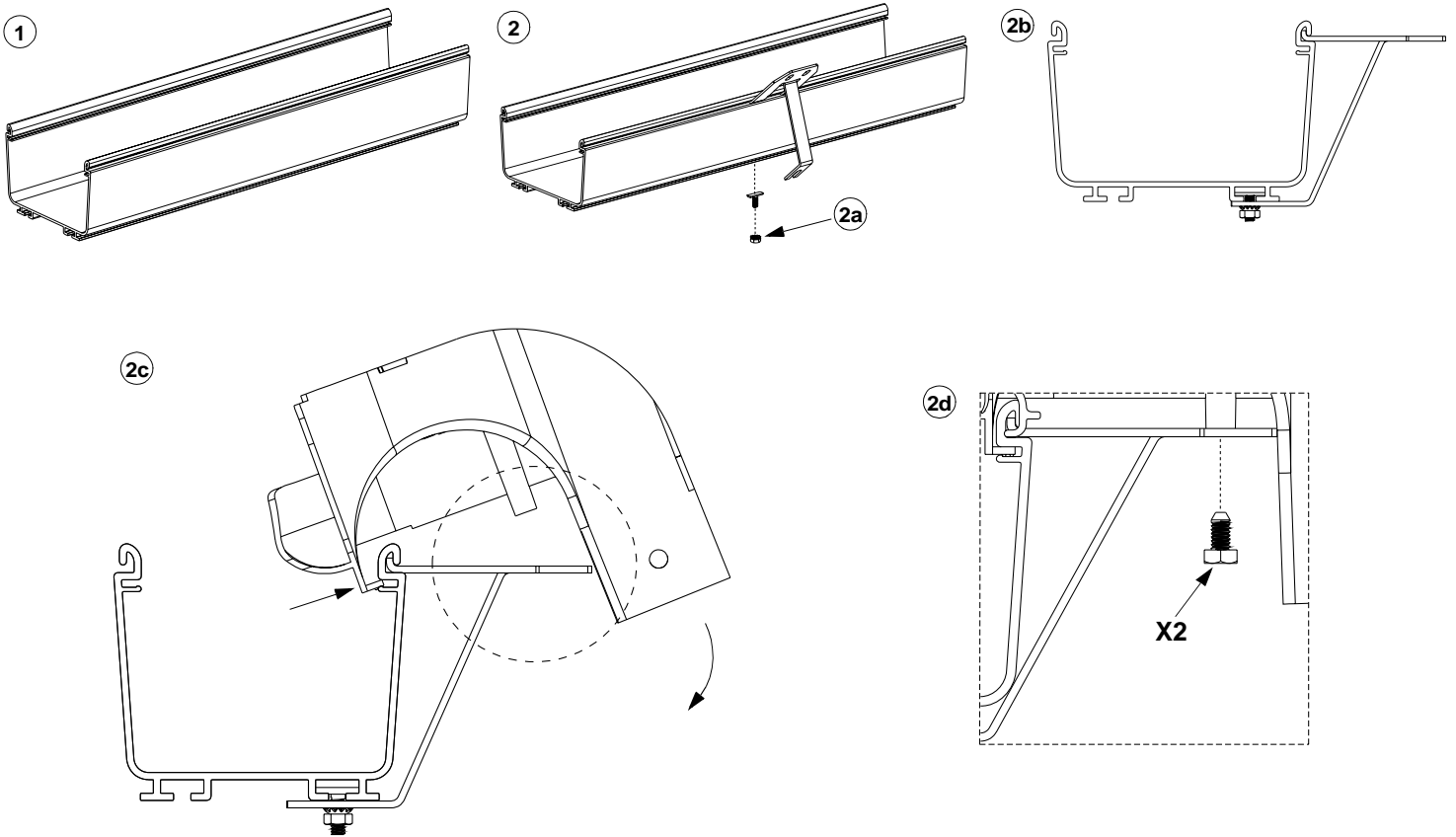
*FIBER*RUNNER SPILL-OVER JUNCTION AND SPILL-OVER DUCT COVER

Part Numbers: FRSP, FRSP4C, FRSP6C, FRSP12C

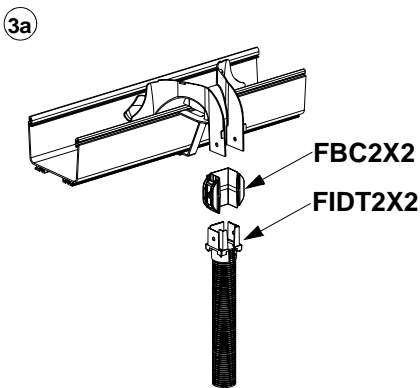
INSTALLATION INSTRUCTIONS

Panduit Corp. 2000

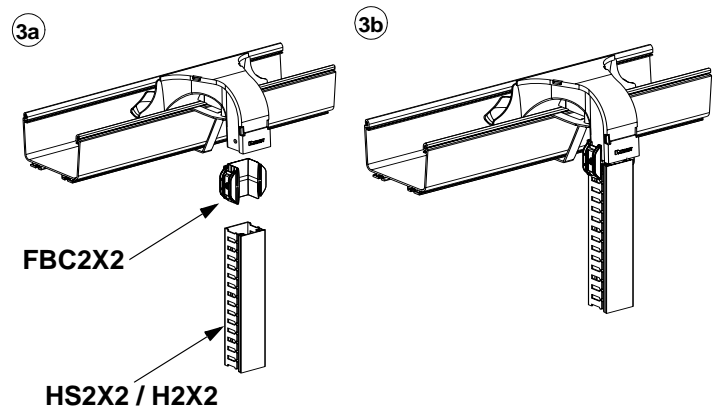
Printed in U.S.A.



OPTION A



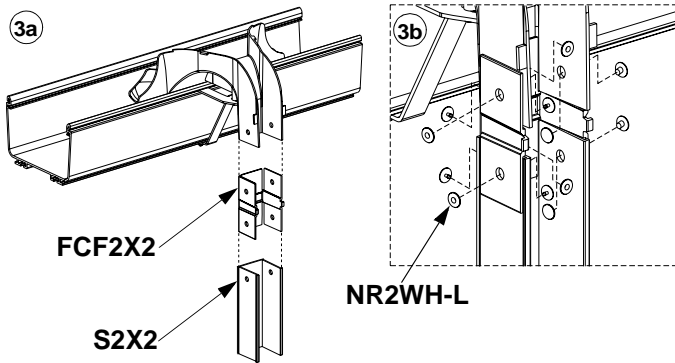
OPTION B



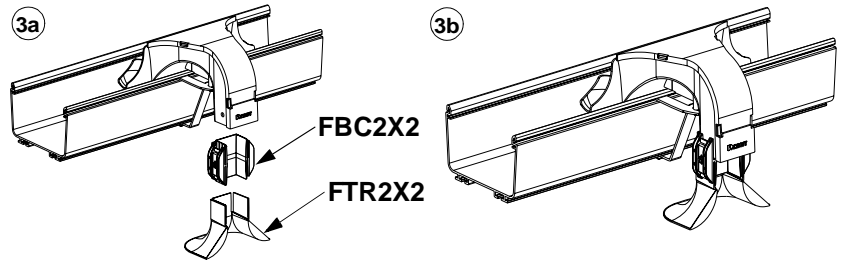
For Technical Assistance Call: 866-405-6656

SPILL-OVER JUNCTION INSTALLATION INSTRUCTIONS

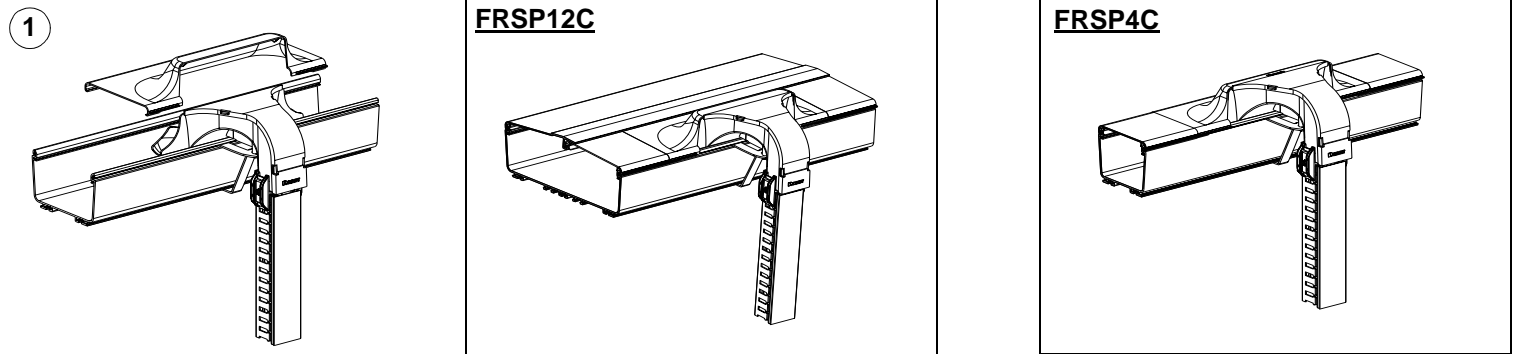
OPTION C



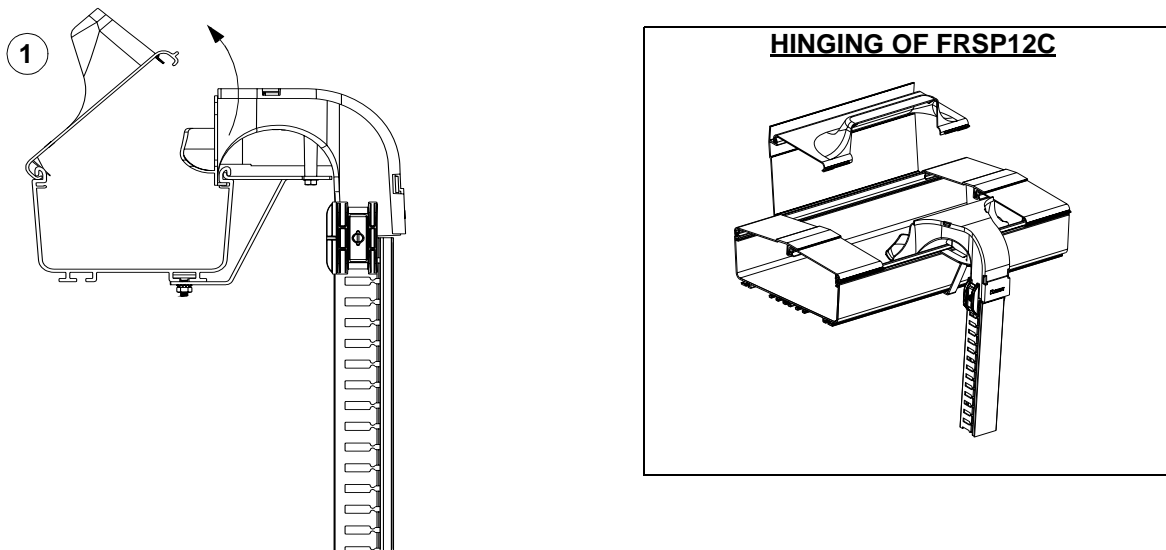
OPTION D



FRSP6C INSTALLATION



HINGING OF FRSP6C



Instruction Sheet RW114C

WORLDWIDE SUBSIDIARIES AND SALES OFFICES

17301 Ridgeland Avenue
Tinley Park, IL.60477-3091
Web Site: www.panduit.com/ngc



Fax: 866-449-1702
Technical Support: 866-405-6656
Email: netconnsupport@panduit.com