



1 PORT SPILL-OUT TO CORRUGATED TUBING SIDE EXIT

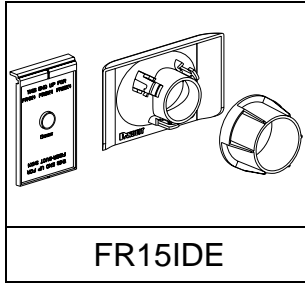
Part Numbers: FR1.5IDE

FOR USE WITH PANDUIT[®]
**FIBER-DUCT[™] &
FIBERRUNNER[™]**
ROUTING SYSTEMS

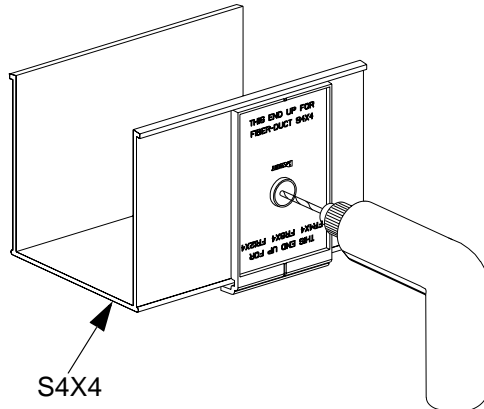
INSTALLATION INSTRUCTIONS

© Panduit Corp. 2000

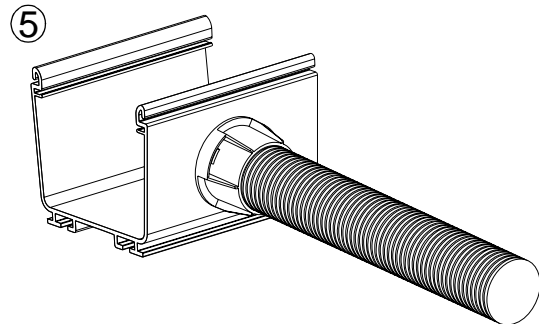
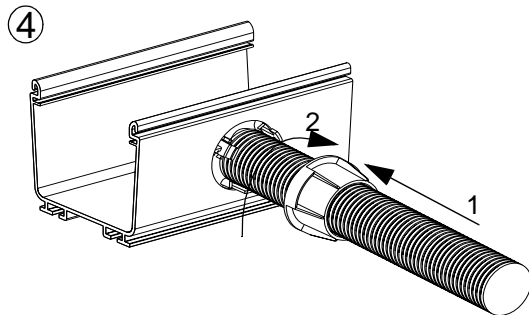
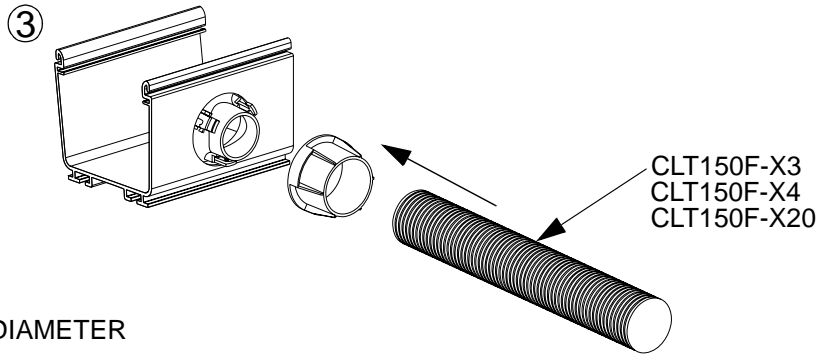
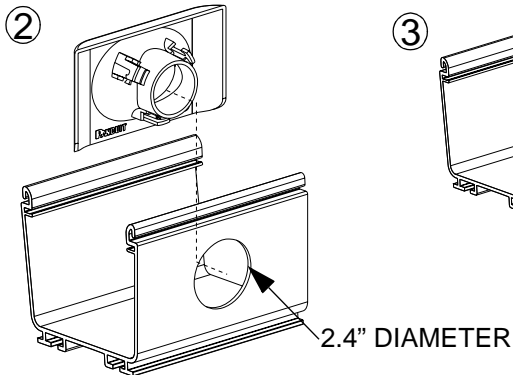
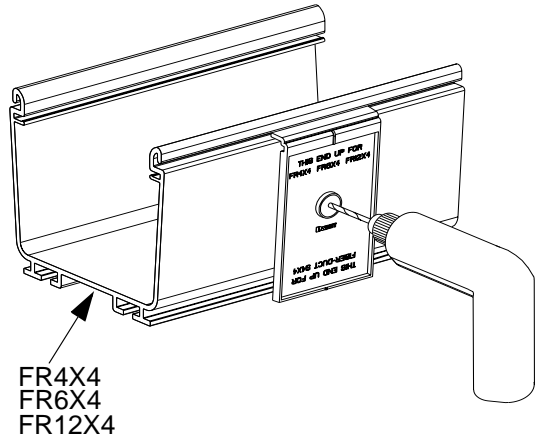
Printed in U.S.A.



① FIBER-DUCT APPLICATION



FIBER-RUNNER APPLICATION



For Technical Assistance call: 866-405-6656



RACEWAY SYSTEMS DIVISION

17301 Ridgeland Avenue
Tinley Park, IL 60477-3091
Phone: 866-405-6656
FAX: 866-449-1702

WORLDWIDE SUBSIDIARIES AND SALES OFFICES

Instruction Sheet RW172