

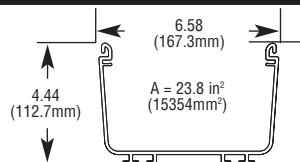
# FIBERRUNNER® 6x4 Routing System

## specifications

The 6x4 routing system shall be a system of channel, fittings and brackets designed to segregate, route and protect fiber optic and high performance copper cabling. Channel and fittings shall be assembled using pre-assembled couplers. A selection of spillout options shall be available that easily attach using the vertical tee. Fittings maintain a minimum 2" bend radius to protect against signal loss due to excessive cable bends. Available system colors shall be yellow, orange and black. A full complement of brackets shall be available for attaching system components to ladder rack, threaded rod, auxiliary framing, strut, equipment racks and raised floor pedestals.



## technical information



Dimensions are in inches (Dimensions in parentheses are metric)

Open channel 50%: fill capacity: (2" Pile Up)	Cable	No. of Cables
	1.6mm	1917
	2.0mm	1219
	3.0mm	546
	CAT6 5.2mm	181
	CAT5e 5.5mm	162
<b>Material:</b>	Rigid PVC (channel), ABS (fittings)	
<b>Flammability:</b>	94V-0	
<b>Approvals:</b>	UL Listed Compliant with the applicable tests in Telcordia GR-63-CORE Network Equipment Building Systems Level 3	
<b>CSI spec form:</b>	LP-CSISPEC-FR	

## key features and benefits

<b>Fastest installations</b>	No bolts need to be tightened and no tools are required when installing the <i>QuikLock™</i> Coupler; <i>QuikLock™</i> Couplers and Brackets take less than five seconds to make a mechanically secure connection
<b>Easy to maintain</b>	Hinged channel cover installs easily and fully encloses the channel for cable protection. Split hinged channel cover creates radiused 3/4" (19mm) opening for easy access to add or remove cables. The 6x4 hinged and split hinged channel covers will stay open between 30 and 90 degrees to allow cable access even in height restricted areas.  Split fitting covers allow cable to be laid in without removing the fitting cover. The covers are also designed to prevent cables from coming out of the channel as cable is pulled through.  Hinged channel cover, and split fitting covers protect cabling and provide fast and easy access for future cabling moves, adds and changes.
<b>System strength</b>	Robust system of channel, covers, fittings and other non-metallic system components, protect cable from physical damage; System includes full range of directional and spillout fittings.
<b>Versatility</b>	Multiple spill out options include spill-over fittings and the vertical tee which accepts a three sided trumpet, transition to corrugated tubing and the <i>PANDUIT® FIBERRUNNER®</i> and <i>FIBER-DUCT™</i> systems
<b>Cable protection</b>	Minimum 2" bend radius maintained throughout all fittings prevents excessive bends in fiber optic cabling

## applications

The *FIBERRUNNER®* 6x4 Routing System is a system of channel, fittings and brackets designed to segregate, route and protect fiber optic and high performance copper cabling. It is suited for data center applications where cable is routed from distribution areas to equipment cabinets or racks. It is used in Telco Central Offices to route fiber optic jumper cables between fiber distribution frames and equipment bays. It can be deployed over the racks or in approved under floor applications. Channel and fittings are assembled using the timesaving *PANDUIT® QuikLock™* couplers. A selection of spillout options is available that easily attach using the vertical tee. Fittings maintain a

minimum 2" bend radius to protect against signal loss due to excessive cable bends. Available system colors are yellow, orange and black to differentiate various types of cabling. A full complement of *QuikLock™* Brackets is available to attach system components to support structures found in all applications.

The *FIBERRUNNER®* 6x4 Routing System is part of the *PANDUIT®* complete fiber distribution system, which includes the *FIBERRUNNER®* 12x4, 4x4, and 2x2 Routing Systems, the *FIBER-DUCT™* 4x4 and 2x2 Routing Systems and *OPTICOM® HD* Cable Management products.

### Channel & Cover

6x4 channel (6 ft):	FR6X4**6
6x4 hinged cover (6 ft):	FRHC6**6
6x4 split hinged cover (6 ft):	FRSHC6**6
Cable retainer:	FRCR6BL-X

### Fittings and Split Covers

<i>QuikLock™</i> coupler:	FRBC6X4**
Horizontal right angle:	FRRAGX4**
Horizontal right angle cover:	FRRASC6**
Horizontal 45°:	FRH456X4**
Horizontal 45° cover:	FRH45SC6**
Horizontal tee:	FRT6X4**
Horizontal tee cover:	FRTSC6**
Four way cross:	FRFVC6X4**
Four way cross cover:	FRFVCS6**
6x4 three sided trumpet:	FRT6X4**
End cap:	FREC6X4**
<i>QuikLock™</i> vertical tee:	FRVT6X4**
2-port spillout to 1.5" I.D. corrugated tubing:	FIDT4X4BL
3-sided vertical tee trumpet spillout:	FTR4X4**
Low profile reducer 4x4 to 2x2 for vertical tee:	FRLPR42BL
Spill-over fitting with 2x2 exit:	FRSP**
Spill-over fitting cover with 2x2 exit for 6x4 system:	FRSP6C**
Spill-over fitting with 4x4 exit:	FRSP4**
Spill-over fitting cover with 4x4 exit for 6x4 system:	FRSP46C**
Dual downspout fitting:	FRDSD6X4**
Dual downspout fitting cover:	FRDSDHC6X4**
2x2 three sided trumpet:	FTR2X2*
Inside vertical 45°:	FRIV456X4**
Outside vertical 45°:	FROV456X4**
Outside vertical 45° cover:	FROV45SC6**
Outside vertical 90°:	FROVRA6X4**
Outside vertical 90° cover:	FROVRASC6**
6x4 up spout fitting:	FRUPS6X4**
6x4 to 4x4 <i>FIBERRUNNER®</i> reducer fitting:	FRRF6FR4**
6x4 to 4x4 <i>FIBERRUNNER®</i> reducer fitting cover:	FRRF6FR4SC**
6x4 <i>FIBERRUNNER®</i> system to 4x4 <i>FIBER-DUCT™</i> reducer fitting:	FRRF6**
Innerduct transition fitting:	FITF6X4
Adapter to ADC 6x4 FiberGuide®:	FRAD6X4**
Adapter to Tyton 8x4 Lightguide®:	FRTYT68
Adapter to Warren & Brown 8x4 Lightpaths®:	FRWBS68
Corrugated tubing spillout:	FRIDT6X4**
Corrugated tubing spillout side exit:	FR1.5IDE**

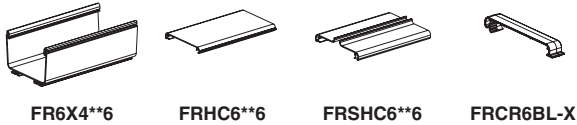
### QuikLock™ Mounting Brackets

QL existing 1/2" thr rod brkt:	FR6TRBE12
QL existing 5/8" thr rod brkt:	FR6TRBE58
QL new 1/2" thr rod brkt:	FR6TRBN12
QL new 5/8" thr rod brkt:	FR6TRBN58
QL under-floor brkt:	FR6USB
QL adjust ladder rack brkt:	FR6ALB
QL center support brkt 1/2":	FR6CS12
QL center support brkt 5/8":	FR6CS58
QL adjust C-brkt 1/2":	FR6ACB12
QL adjust C-brkt 5/8":	FR6ACB58
QL trapeze 3/8" brkt:	FR6TB38
QL trapeze 1/2" brkt:	FR6TB12
2 pc. ladder rack brkt 1/2" thr rod:	F2PCLB12
2 pc. ladder rack brkt 5/8" thr rod:	F2PCLB58
1/2" thr rod ladder rack brkt:	FLB12X15
5/8" thr rod ladder rack brkt:	FLB58X15
QL ladder rack brkt:	FR6LRB
QL "L" wall mount brkt:	FR6LB
QL EIA rack mount brkt:	FR6RMBEIA
EIA/TIA threaded rod mounting brkt:	FEIAB58
QL NetFRAME™ rack mount brkt:	FR6RMBNF58
QL adjust cabinet mount brkt:	FR6ACAB
Strut mtl frm brkt 1/2" thr rod:	FTRB12
Strut mtl frm brkt 5/8" thr rod:	FTRB58

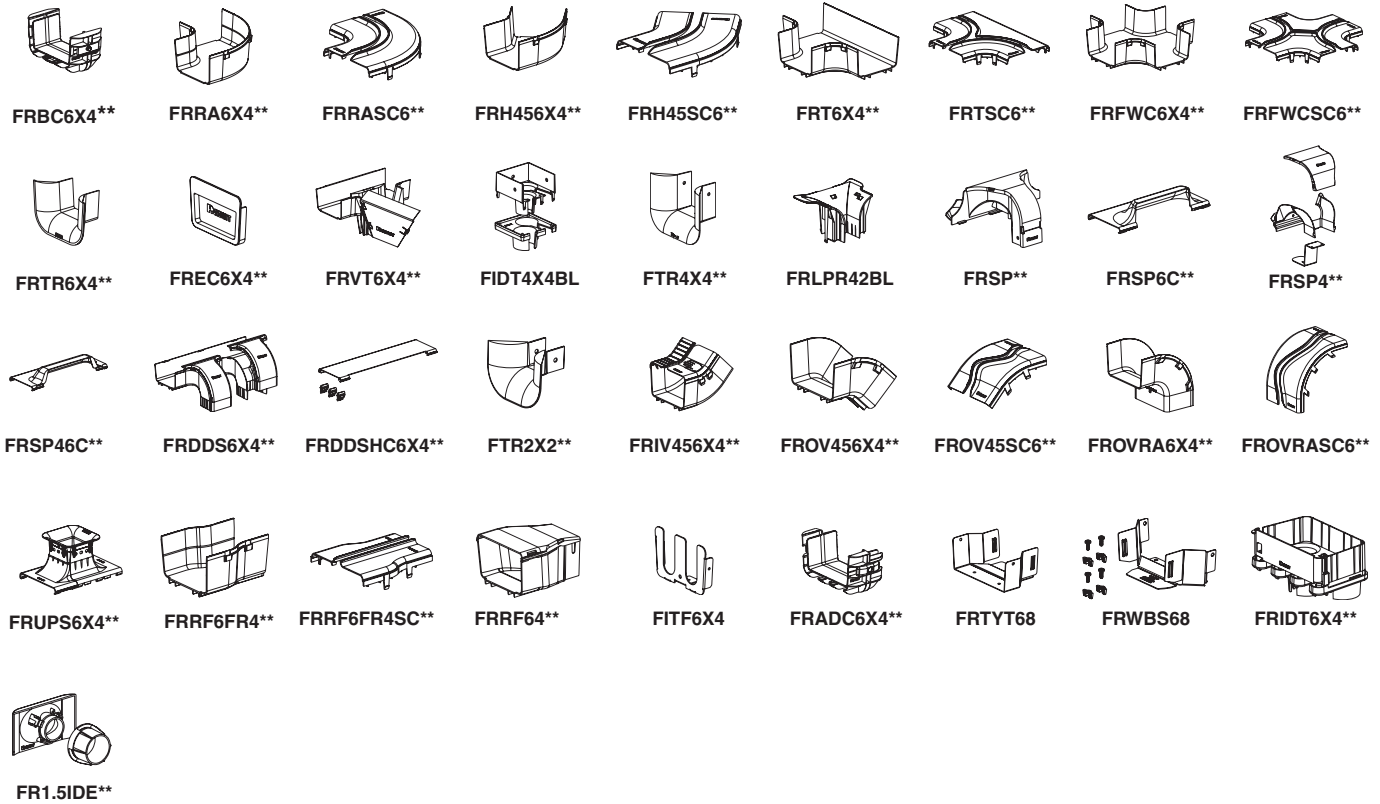
\* FiberGuide is a registered trademark of ADC Telecommunications, Inc. <sup>2</sup>Lightguide Fiber Optic Protection System is a product of the Hellerman Tyton Corporation. <sup>3</sup>Lightpaths is a registered trademark of Warren & Brown Technologies Pty Ltd.  
\*\* Substitute: YL=Yellow OR=Orange BL=Black

# FIBERRUNNER® 6X4 Routing System

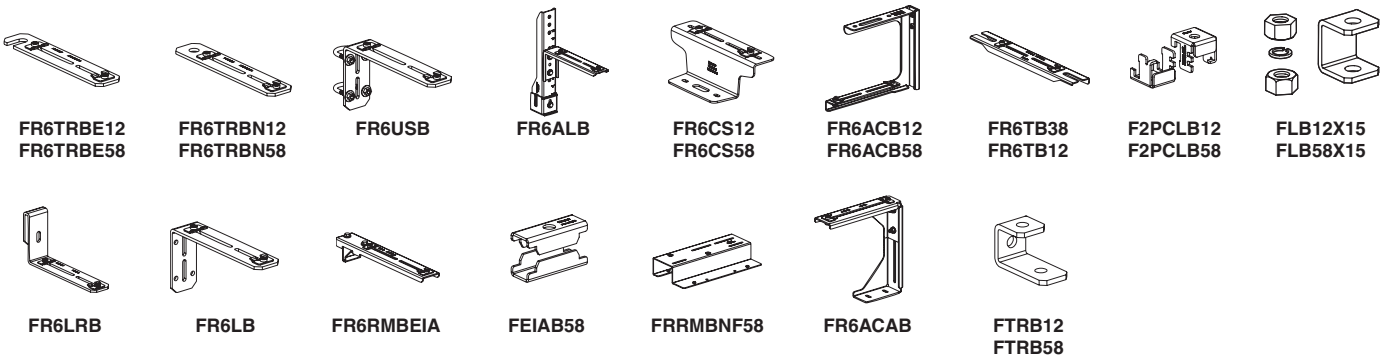
## Channel & Cover



## Fittings and Split Covers



## QuikLock™ Mounting Brackets



\*\* Substitute: YL = Yellow OR = Orange BL = Black

### WORLDWIDE SUBSIDIARIES AND SALES OFFICES

PANDUIT® CANADA  
Markham, Ontario  
Phone: 800.777.3300

PANDUIT® EUROPE LTD.  
London, UK  
Phone: 44.208.601.7200

PANDUIT® ASIA PACIFIC PTE. LTD.  
Republic of Singapore  
Phone: 65.6379.6700

PANDUIT® JAPAN  
Tokyo, Japan  
Phone: 81.3.3767.7011

PANDUIT® LATIN AMERICA  
Jalisco, Mexico  
Phone: 52.333.666.2501

PANDUIT® AUSTRALIA PTY. LTD.  
Victoria, Australia  
Phone: 61.3.9794.9020

For a copy of PANDUIT® product warranties, log on to [www.panduit.com/warranty](http://www.panduit.com/warranty)



For more information or to request a catalog

800-777-3300

cs@panduit.com

[www.panduit.com](http://www.panduit.com)

Copyright © PANDUIT Corp. All rights reserved.  
Printed in U.S.A.

WW-FRSP05

04/2004