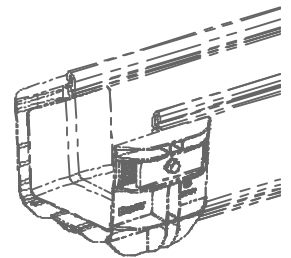
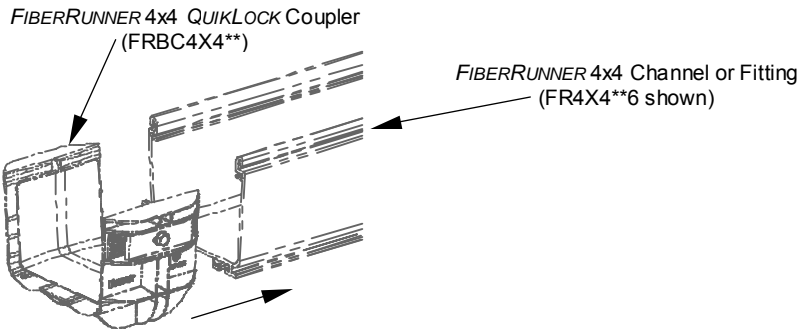


### 3.2 FIBERRUNNER 4x4 to FIBER-DUCT™ 4x4 Reducer

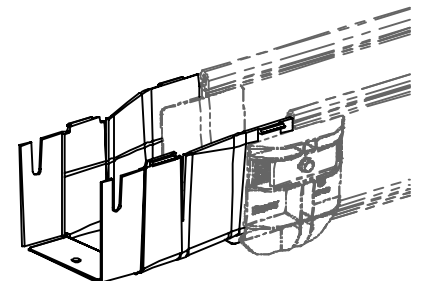
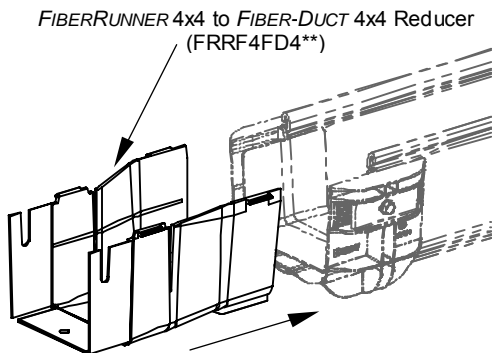
The FIBERRUNNER 4x4 to FIBER-DUCT 4x4 Reducer attaches to the FIBERRUNNER 4x4 Channel and/or fittings via the FIBERRUNNER 4x4 QUIKLOCK™ Coupler to create a reduction in the fiber pathway. The FIBER-DUCT 4x4 end of the reducer accepts the FIBER-DUCT 4x4 Solid and Slotted Wall Channels. The FIBERRUNNER 4x4 to FIBER-DUCT 4x4 Reducer is furnished with a single piece solid cover. The solid cover protects the cables within the reducer and requires no tools for installation and/or removal.

The FiberRunner 4x4 to Fiber-Duct 4x4 Reducer can be easily installed as follows:

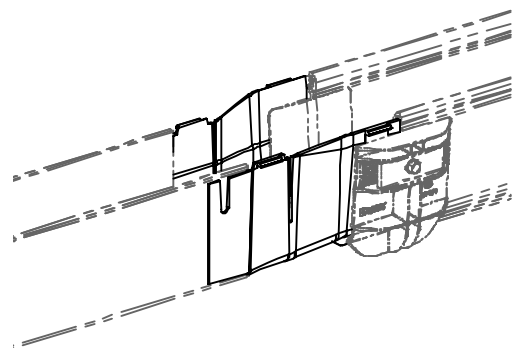
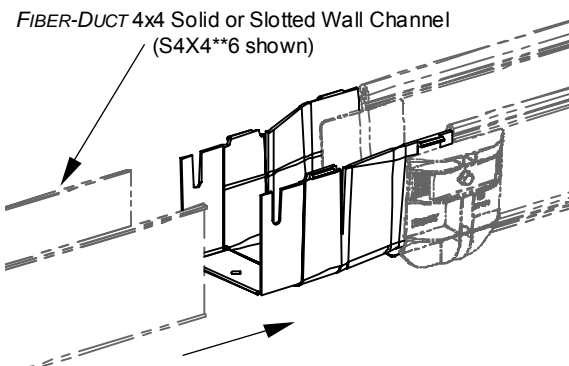
1. Determine the location along the fiber pathway at which the reducer is to be installed. Please note that the reducer can be added anywhere a FIBERRUNNER 4x4 QUIKLOCK Coupler can be installed.



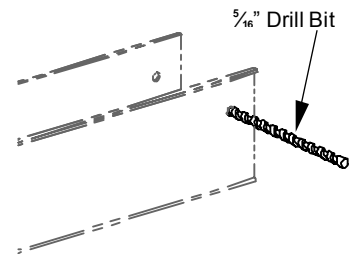
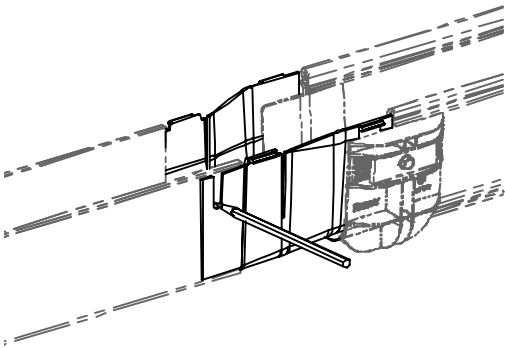
2. Align the reducer with the extended ribs of the QUIKLOCK Coupler. Once aligned, push the coupler and reducer together until the reducer is seated against the inner rib of the coupler. Please note that the slight amount of resistance that is felt is normal, indicating that the metal barbs of the coupler have engaged the surface of the reducer.



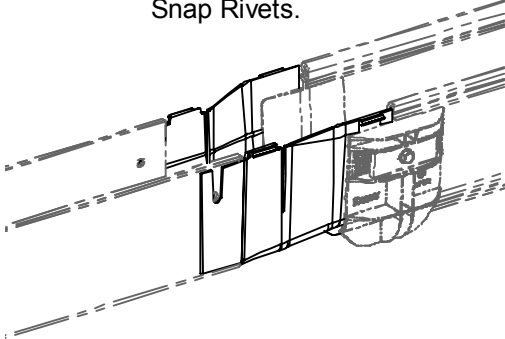
3. With the reducer secure in the QUIKLOCK Coupler, align the profile of the FIBER-DUCT 4x4 Solid or Slotted Wall Channel section with the extended flanges of the reducer. Please note that the left and right extended flanges should be aligned with the outside of the channel section with the lower extended flange aligned with the inside of the channel section. Once aligned, slide the channel section into the reducer until it is completely seated against the inner rib of the reducer.



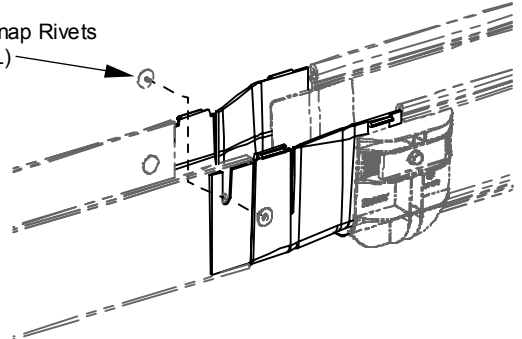
- With the channel section held in place against the reducer, mark all three (3) mounting hole locations of the reducer on to the channel section. Remove the channel section and with a  $\frac{5}{16}$ " diameter drill bit create three (3) mounting holes in the channel section. Please note that before the drilling operation begins, that all cables, etc. are out of the path of the drilling bit.



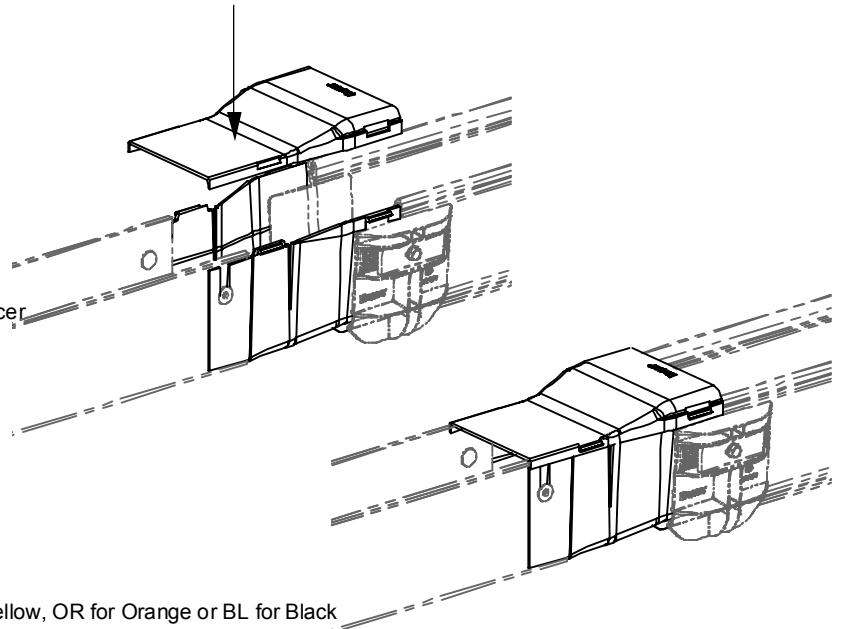
- Reattach the channel section and realign all three (3) of the mounting holes. With the channel section in place, install the *FIBER-DUCT™* 4x4 Snap Rivets to secure the installation. To ensure a smooth interior surface, it is recommended that the female rivet be used on the outside surfaces of the reducer. Also note that the *FIBERRUNNER* 4x4 to *FIBER-DUCT* 4x4 Reducer will require the use three (3) snap rivets. The Plastic Wing Nut and Screw Kit and/or the Plastic Hex Nut and Screw Kit can be used in lieu of the *FIBER-DUCT* 4x4 Snap Rivets.



*FIBER-DUCT* 4x4 Snap Rivets (NR4BL-L)



- With the *FIBER-DUCT* 4x4 Solid or Slotted Wall Channel secured to the reducer, the cables can be routed through the reducer and terminated as necessary. After the cables have been routed, align the single piece solid cover with the extended tabs at the top of the reducer. Once aligned, the installation will be complete by applying a slight force to the top of the solid cover over each of the four (4) mounting locations until the extended tabs snap into the mounting slots on the solid cover.



Part numbers described in this section:

FR4X4\*\*6 - *FIBERRUNNER* 4x4 to *FIBER-DUCT* 4x4 Reducer

Part numbers referenced in this section:

FR4X4\*\*6 - *FIBERRUNNER* 4x4 *QUIKLOCK™* Coupler

FR4X4\*\*6 - *FIBERRUNNER* 4x4 Channel

S4X4\*\*6 - *FIBER-DUCT* 4x4 Solid Wall Channel

E4X4\*\*6 - *FIBER-DUCT* 4x4 Slotted Wall Channel

NR4BL-L - *FIBER-DUCT* 4x4 Snap Rivets

F14PWN-L - Plastic Wing Nut and Screw Kit

F14PN-L - Plastic Hex Nut and Screw Kit

When ordering, replace \*\* in the part number with YL for Yellow, OR for Orange or BL for Black