



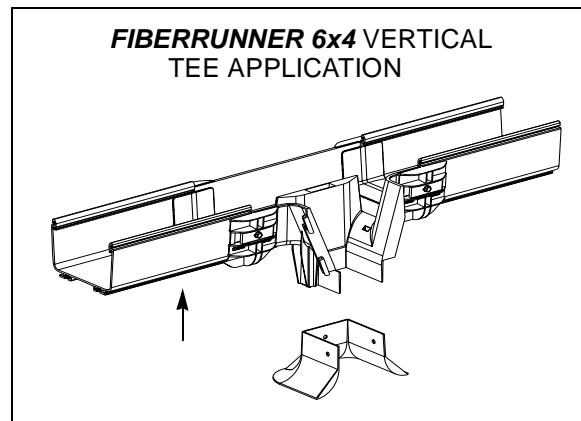
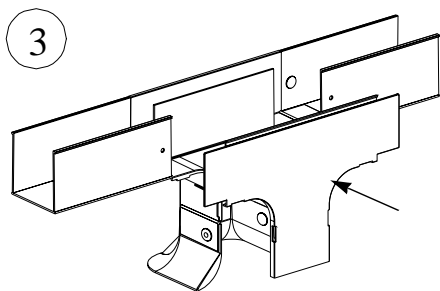
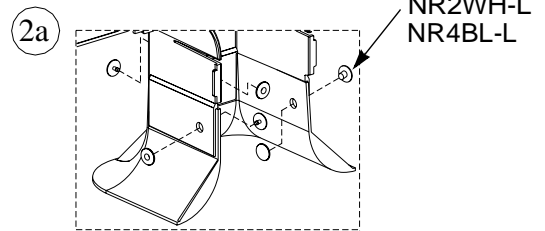
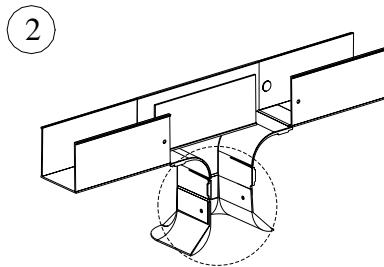
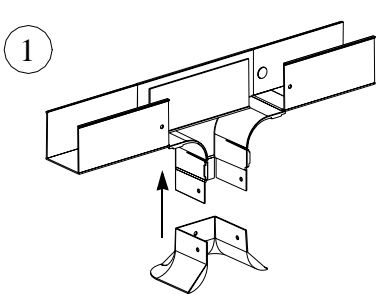
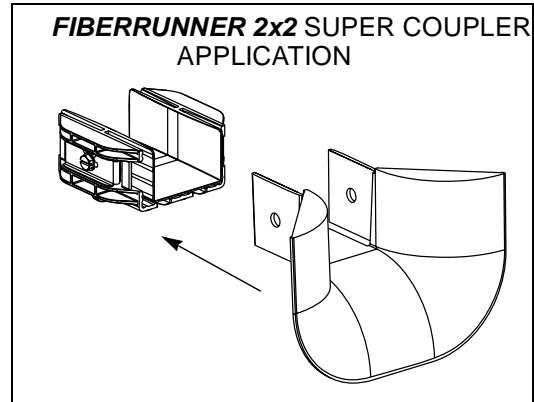
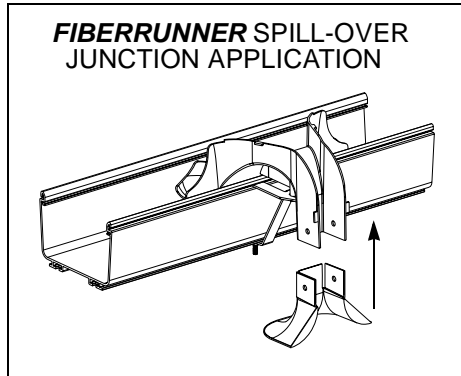
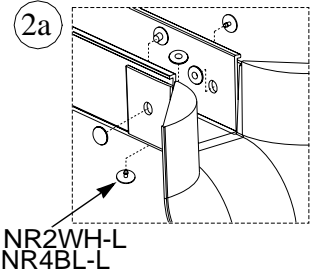
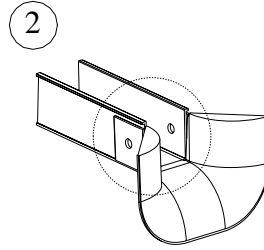
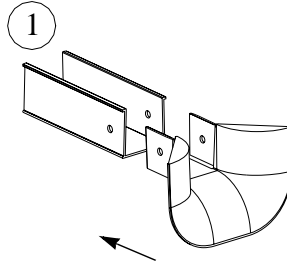
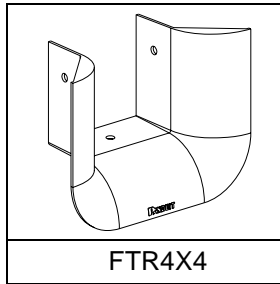
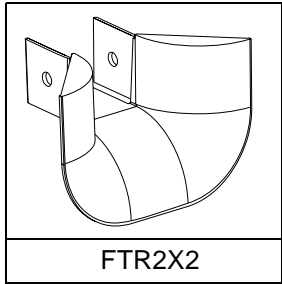
FOR USE WITH PANDUIT
FIBER-DUCT / FIBERRUNNER
ROUTING SYSTEMS

FIBER-DUCT & FIBERRUNNER
2x2, 4x4, 6X4, & 12X4 3-SIDED TRUMPET FITTINGS

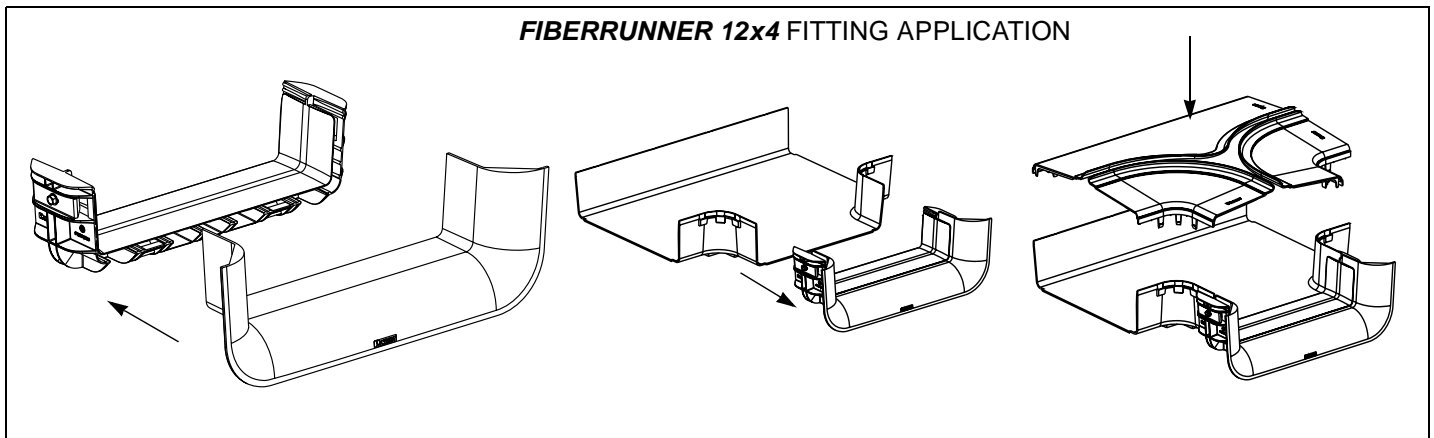
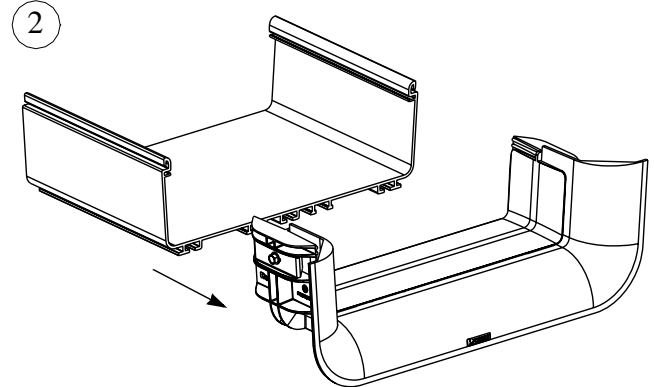
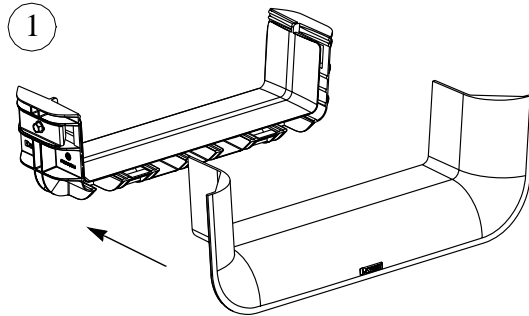
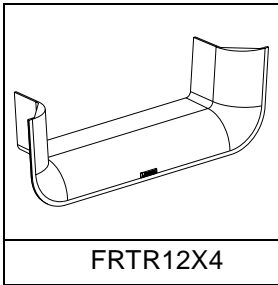
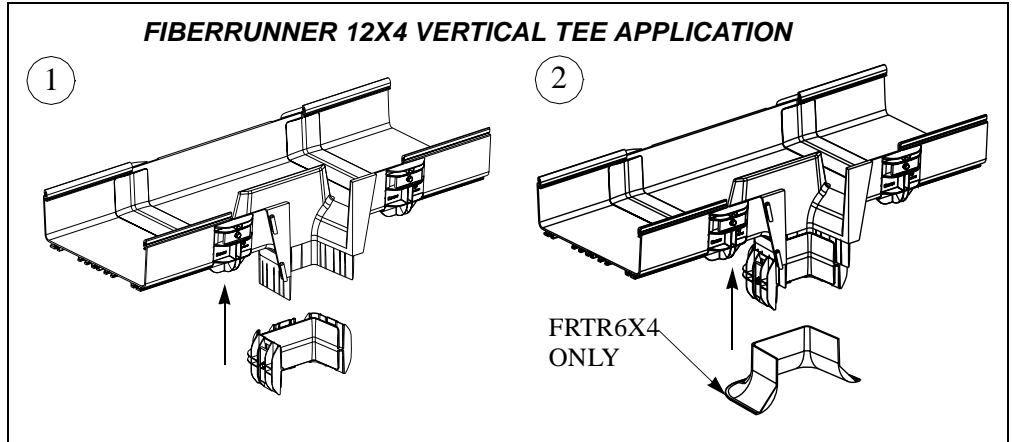
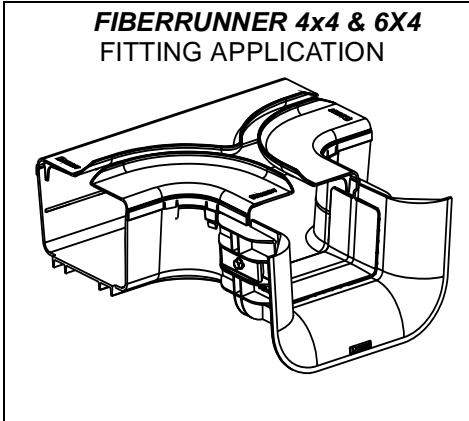
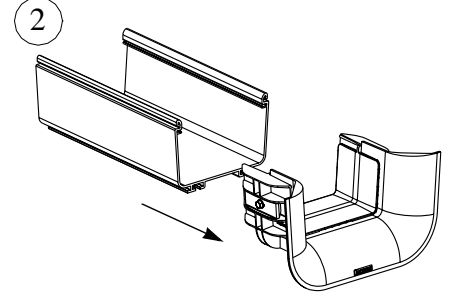
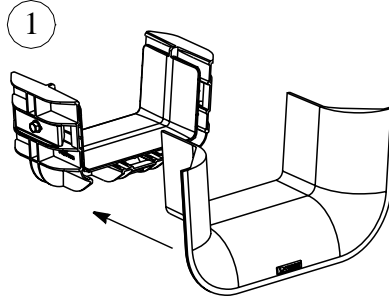
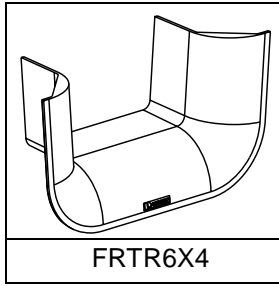
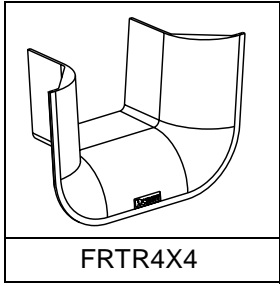
Part Numbers: FTR2X2, FTR4X4, FRTR4X4, FRTR6X4, FRTR12X4

FTR2X2 & FTR4X4 INSTALLATION INSTRUCTIONS

Panduit Corp. 2000



FRTR4X4, FRTR6X4, & FRTR12X4 INSTALLATION INSTRUCTIONS



Instruction Sheet RW110C

WORLDWIDE SUBSIDIARIES AND SALES OFFICES

17301 Ridgeland Avenue
 Tinley Park, IL 60477-3091
 Web Site: www.panduit.com/ncg



RACEWAY SYSTEMS DIVISION

Fax: 866-449-1702
 Technical Support: 866-405-6656
 Email: netconnsupport@panduit.com