

## Section 9

# Adapters to Other Systems



## **1. Adapters to Other Systems**

### **1.1 FIBERRUNNER 2x2 Cable Routing System to Various 2x2 Systems**

The *FIBERRUNNER 2x2 QUIKLOCK™* Coupler, when used with the *FIBER-DUCT™ 2x2* Coupler allows the *FIBERRUNNER 2x2* Cable Routing System to transition into various other fiber routing systems. The *FIBERRUNNER 2x2 QUIKLOCK* Coupler is supplied pre-assembled and mechanically attaches without the need to use any tools or tighten any bolts.

The *FIBERRUNNER 2x2 QUIKLOCK* Coupler in conjunction with the *FIBER-DUCT 2x2* Coupler is compatible with the following fiber routing systems:

1. ADC\* 2x2 FiberGuide\*\* System

\* ADC is a registered trademark of ADC Telecommunications, Inc.

\*\* FiberGuide is a registered trademark of ADC Telecommunications, Inc.

2. Ditel\*\*\* 2x2 LIGHTRAX\*\*\*\* Fiber Raceway System

\*\*\* Ditel is a trademark of Tyco Electronics Corporation.

\*\*\*\* LIGHTRAX is a trademark of Tyco Electronics Corporation.

3. Newton\*\*\*\*\* 2x2 Fiber Cable Management System

\*\*\*\*\* Newton is a trademark of Newton Instrument Company, Inc.

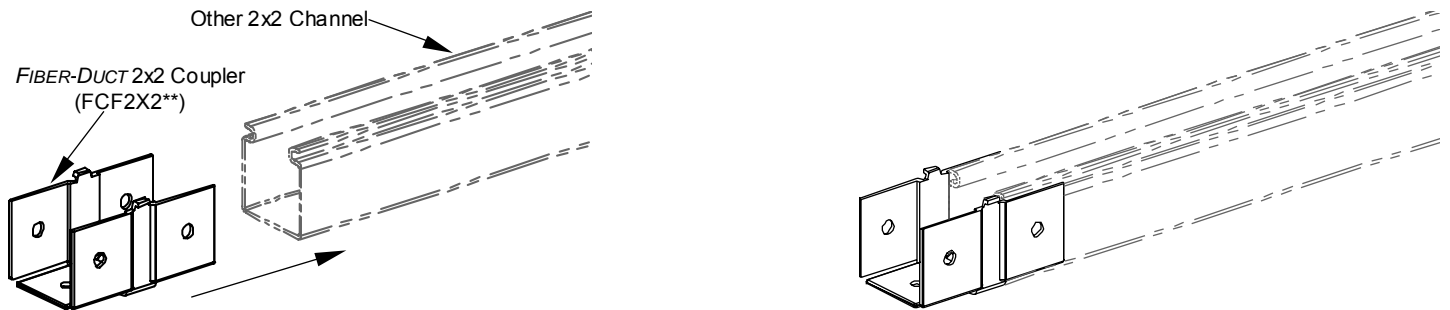
4. Tyton\*\*\*\*\* 2x2 Lightguide\*\*\*\*\* Fiber Optic Protection System

\*\*\*\*\* Tyton is a registered trademark of HellermannTyton Corporation.

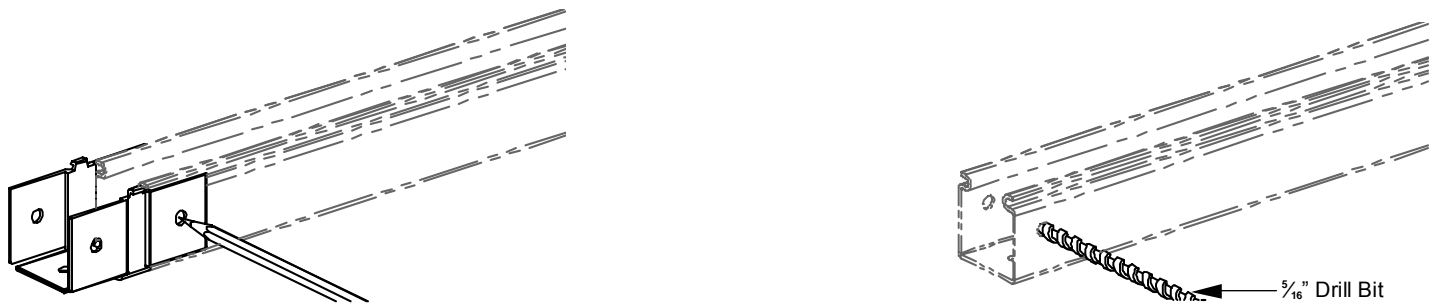
\*\*\*\*\* Lightguide is a trademark of HellermannTyton Corporation.

The *FIBERRUNNER 2x2 QUIKLOCK™* Coupler and the *FIBER-DUCT™ 2x2* Coupler can be easily installed as follows:

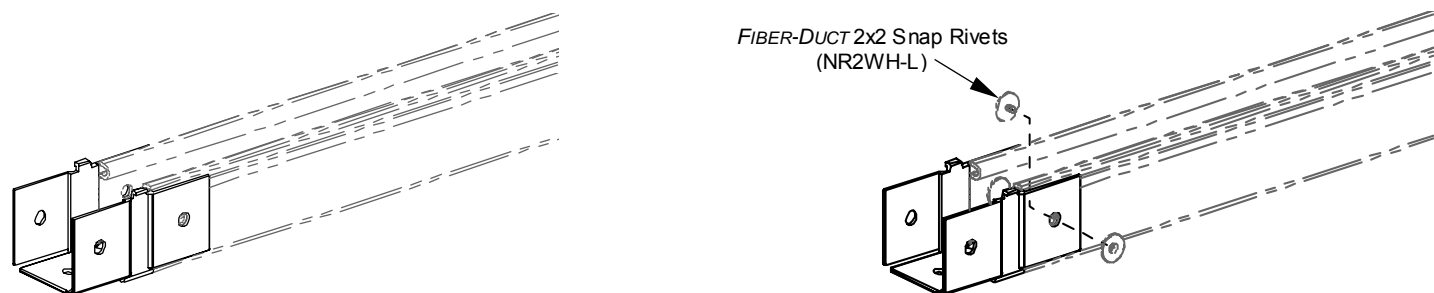
1. Align the extended flanges of the *FIBER-DUCT 2x2* Coupler with the profile of the other channel section. Please note that the left and right extended flanges should be aligned with the outside of the channel section while the lower extended flange is aligned with the inside of the channel section. Once aligned slide the coupler over the end of the other channel section until the coupler is completely seated against the channel profile.



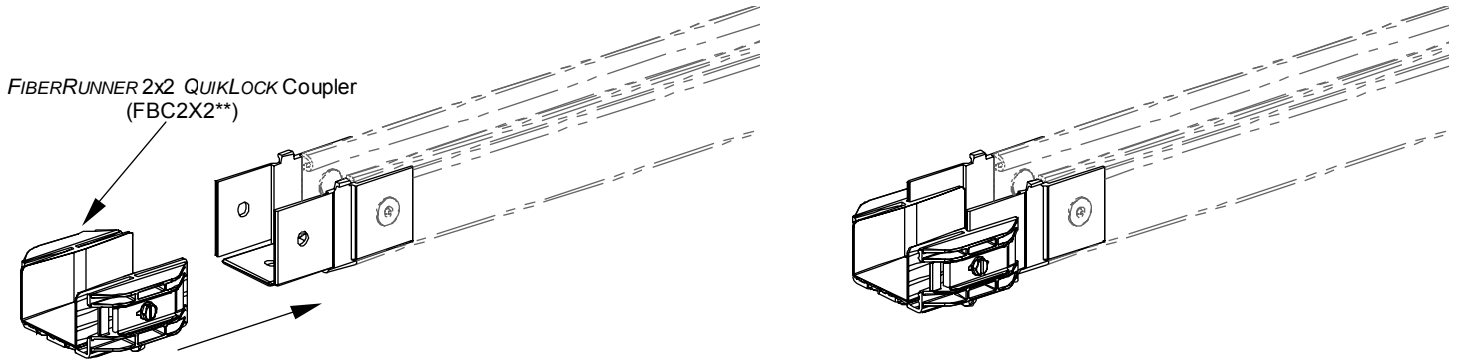
2. With the coupler held in place against the other channel section, mark all three (3) mounting hole locations of the coupler on to the channel section. Remove the coupler and with a  $\frac{5}{16}$ " diameter drill bit create three (3) mounting holes in the other channel. Please note that before the drilling operation begins, that all cables, etc. are out of the path of the drilling bit.



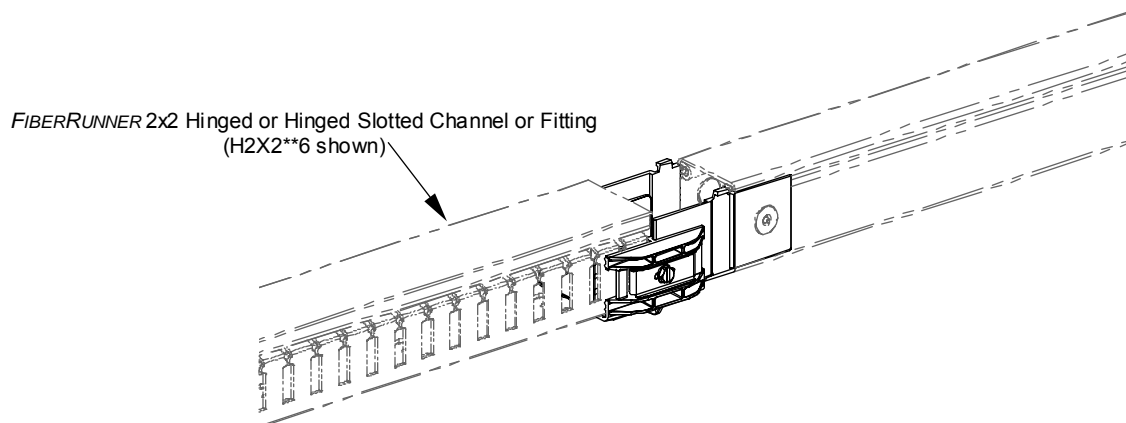
3. Reattach the coupler and realign all three (3) of the mounting holes. With the coupler held in place, install the *FIBER-DUCT 2x2 Snap Rivets (NR2WH-L)* to secure the installation. To ensure a smooth interior surface, it is recommended that the female rivet be used on the outside surfaces of the coupler. Also note that each *FIBER-DUCT 2x2* Coupler will use three (3) snap rivets. The Plastic Wing Nut and Screw Kit and/or the Plastic Hex Nut and Screw Kit can be used in lieu of the *FIBER-DUCT 2x2* Snap Rivets.



4. With the *FIBER-DUCT™ 2x2 Coupler* secured to the competitive channel section, line up the extended ribs of the *FIBERRUNNER 2x2 QUIKLOCK™ Coupler* with the extended flange of the *FIBER-DUCT 2x2 Coupler*. Once aligned, push the *FIBERRUNNER 2x2 QUIKLOCK Coupler* and the *FIBER-DUCT 2x2 Coupler* together until the *FIBER-DUCT 2x2 Coupler* is seated against the inner rib of the *FIBERRUNNER 2x2 QUIKLOCK Coupler*. Please note that the slight amount of resistance that is felt is normal, indicating that the metal barbs of the *FIBERRUNNER 2x2 QUIKLOCK Coupler* have engaged the surface of the *FIBER-DUCT 2x2 Coupler*.

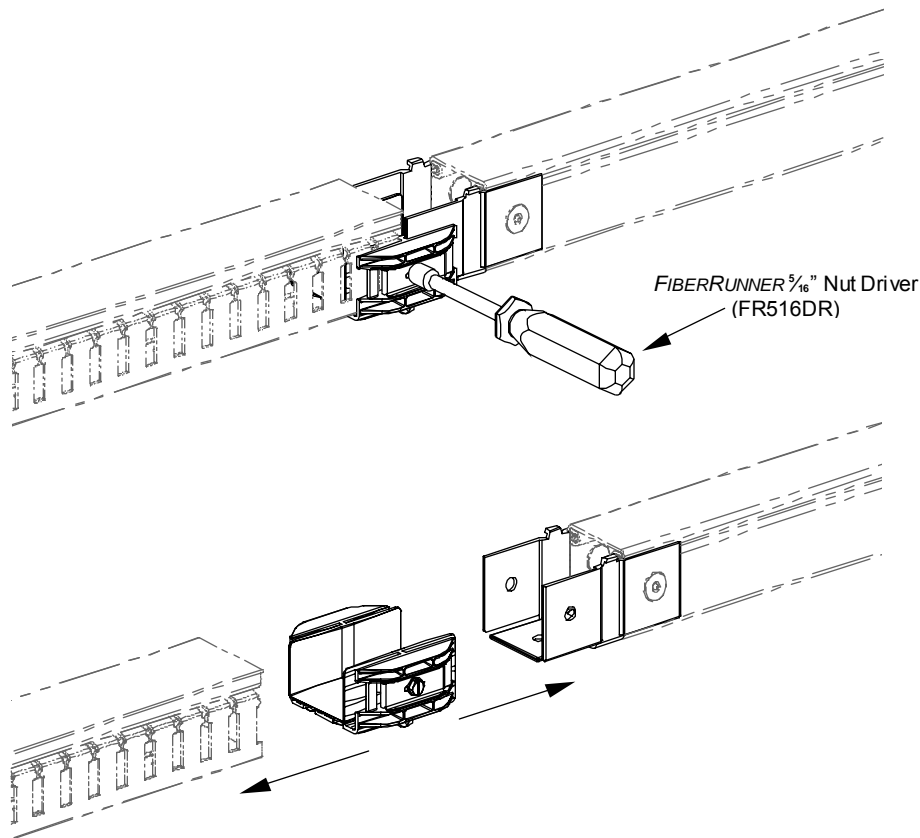


5. With the *FIBERRUNNER 2x2 QUIKLOCK Coupler* in place, a section of *FIBERRUNNER 2x2 Hinged or Hinged Slotted Channel* and/or *FIBERRUNNER 2x2 fitting* can be installed to continue the fiber pathway.

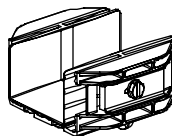


In the event that disassembly is required, connections made with the *FIBERRUNNER 2x2 QUIKLOCK™* Coupler can be easily disconnected as follows:

1. Using the *FIBERRUNNER 5/16"* Nut Driver loosen both of the bolts on the outside of the coupler. Please note that any standard  $\frac{5}{16}$ " nut driver will work as well. Also note that the bolts only need to be loosened enough to allow the metal barbs to disengage the surfaces of the *FIBER-DUCT™ 2x2 Coupler* and the *FIBERRUNNER 2x2 Hinged or Hinged Slotted Channel*. Once loosened the connection can be easily pulled apart.



2. The bolts of the coupler can then be re-tightened. Please be aware not to over tighten the bolts. Once tightened, the *FIBERRUNNER 2x2 QUIKLOCK* Coupler is ready for use once again.



Part numbers described in this section:

FBC2X2\*\* - *FIBERRUNNER 2x2 QUIKLOCK* Coupler

Part numbers referenced in this section:

FCF2X2\*\* - *FIBER-DUCT 2x2 Coupler*

NR2WH-L - *FIBER-DUCT 2x2 Snap Rivets*

F14PWN-L - *Plastic Wing Nut and Screw Kit*

F14PN-L - *Plastic Hex Nut and Screw Kit*

HS2X2\*\*6 - *FIBERRUNNER 2x2 Hinged Channel*

H2X2\*\*6 - *FIBERRUNNER 2x2 Hinged Slotted Channel*

FR516DR - *FIBERRUNNER 5/16"* Nut Driver

When ordering, replace \*\* in the part number with YL for Yellow, OR for Orange or BL for Black